

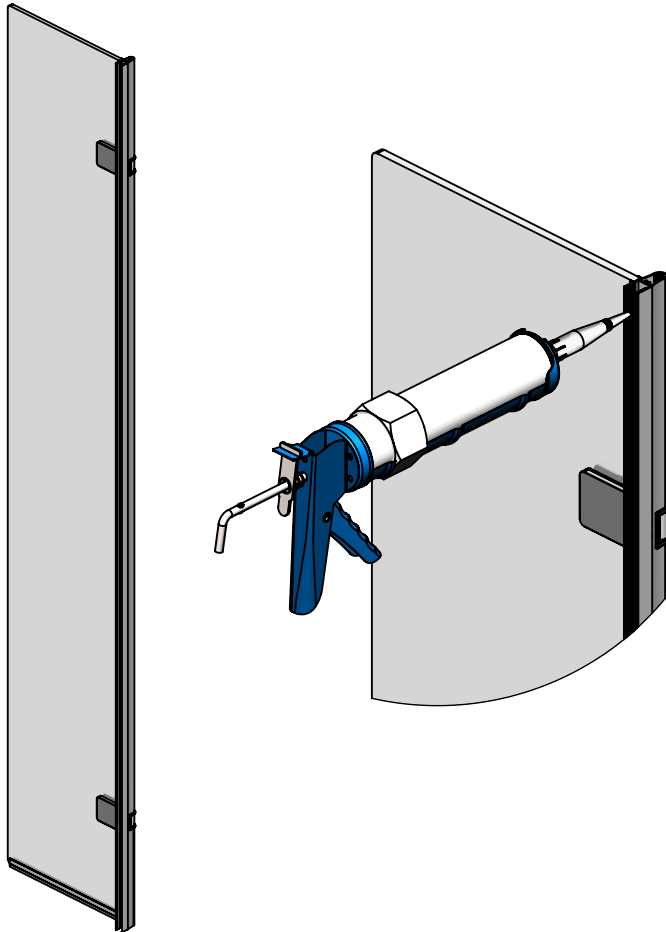
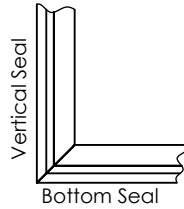
# WETROOM SWING PANEL INSTRUCTION

## SEAL CUT LENGTHS

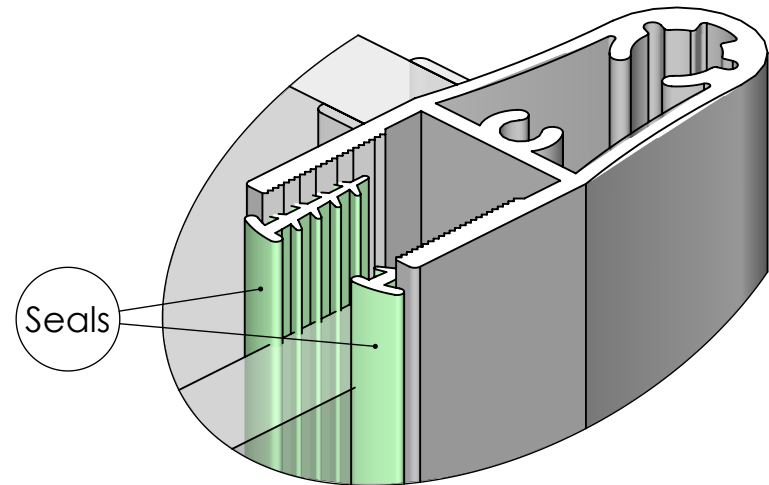
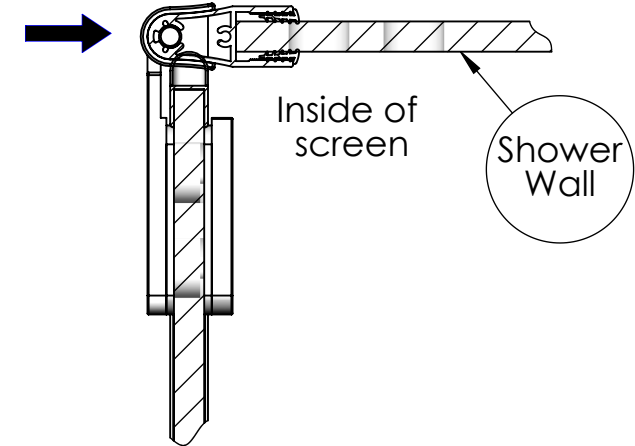
Bottom Seal - Cut to 304mm.

Vertical Seal - Cut to 1842mm for 1850 Enclosure.  
Cut to 1892mm for 1900 Enclosure.  
Cut to 1942mm for 1950 Enclosure.  
Cut to 1992mm for 2000 Enclosure.

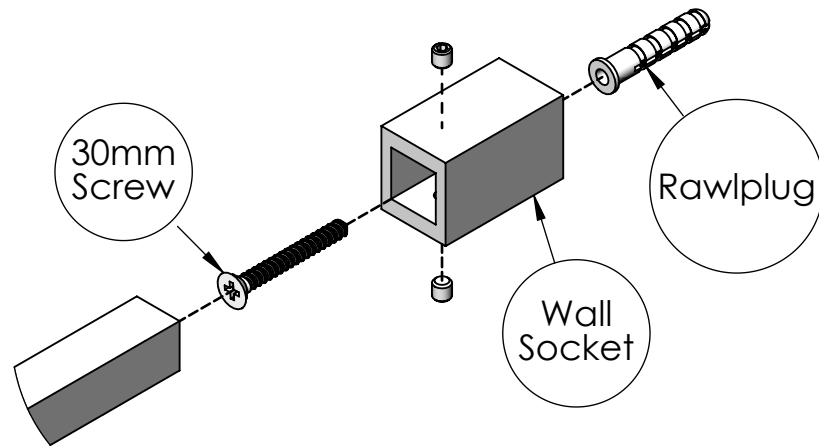
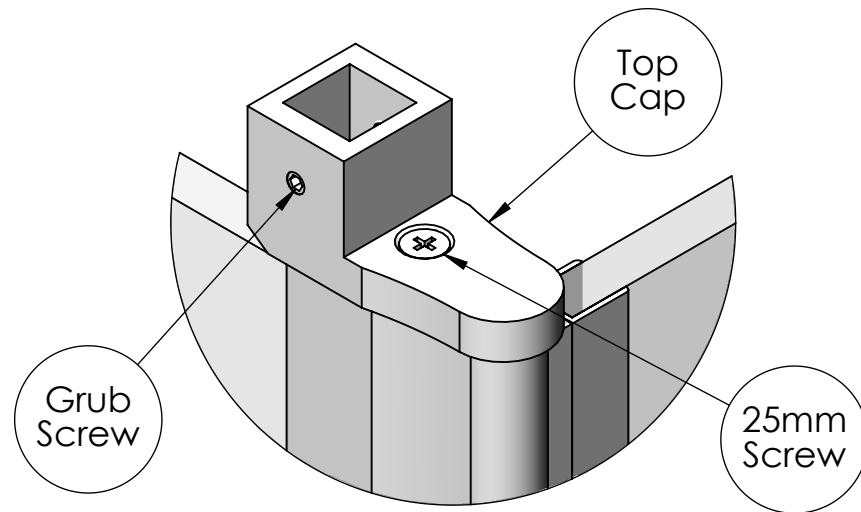
Seals should mitre as indicated to the right.



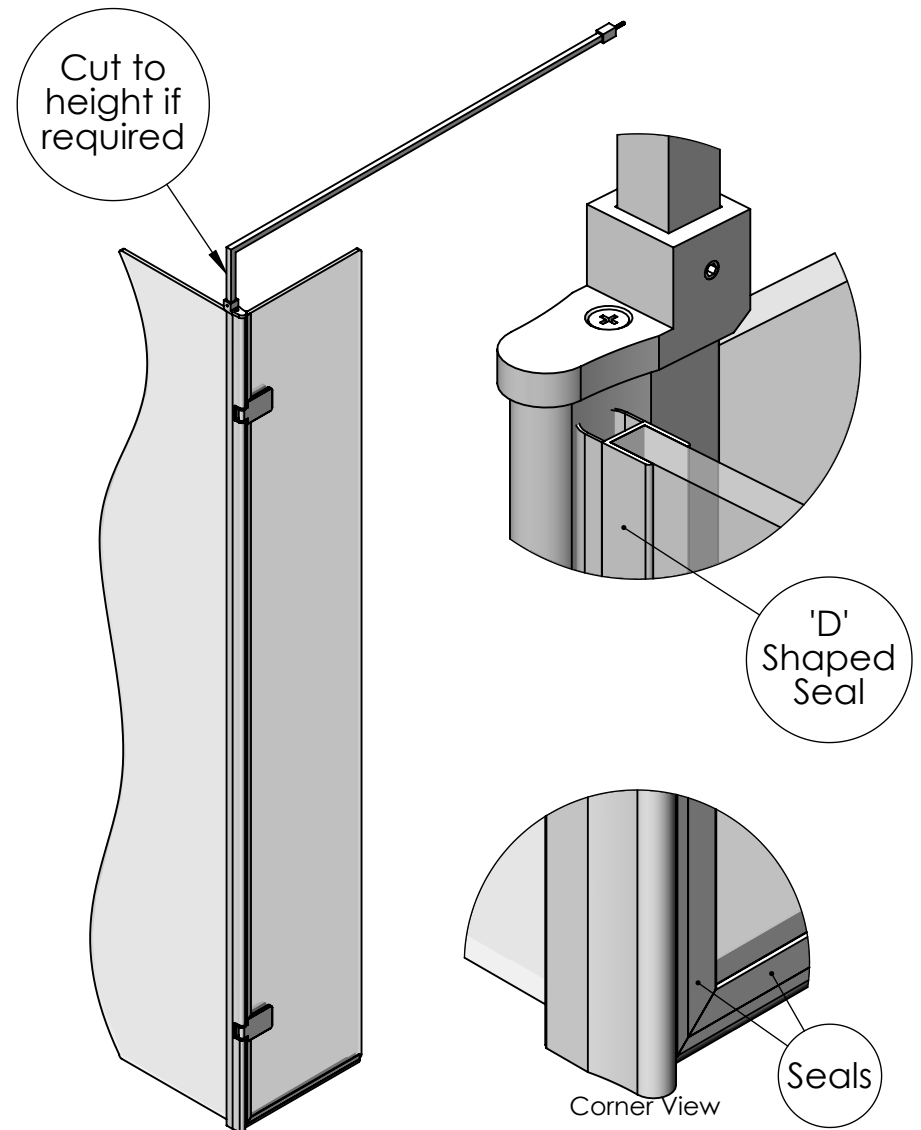
1. Clean glass edges of existing shower wall.
2. It is fundamental that you run an adequate bead of silicone down the inside of the swing panel profile, as shown. This is to ensure the profile has bonded to the glass. It is important to allow the silicone to dry before using.



3. Fit swing panel onto end of the shower wall.
4. Insert the 2 seals provided as shown above for an 8mm shower wall. For a 10mm shower wall use one seal on the inside of the enclosure.



5. Fit top cap to profile as shown above.
6. Attach top support bar to the wall using fittings supplied. (In direction shown).
7. Cut top support bar to required length.



8. Fit 'D' shaped seal to hinge glass ensuring it seals on to the aluminium profile.
- NOTE: Ensure all screws are tight and secure.  
Do not use the enclosure for 24hr to allow silicone to cure.