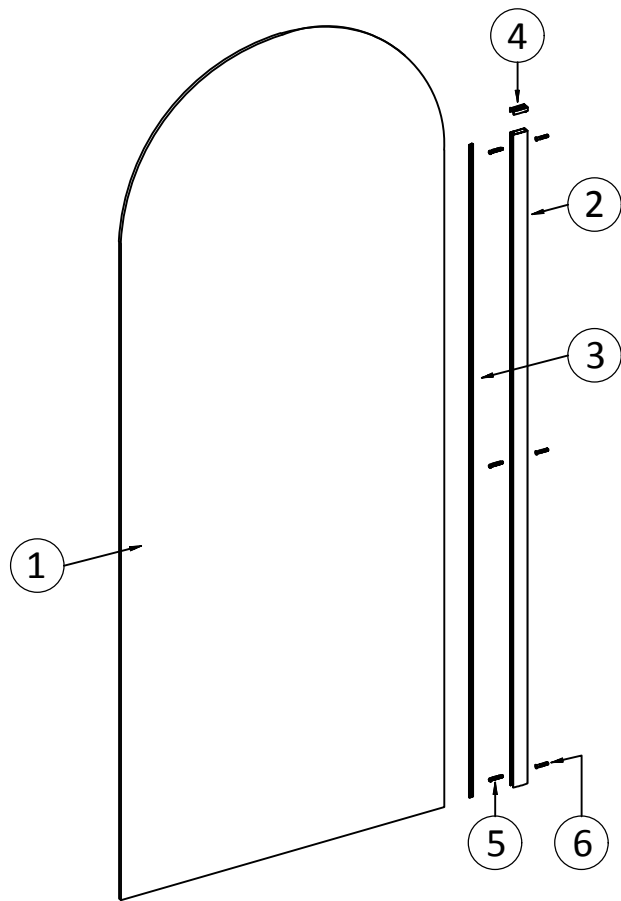


ARCHED WETROOM SCREEN INSTRUCTION



	ITEM	DESCRIPTION	NOTES	QTY
PACK 1	1	GLASS		1
PACK 2	2	WALL PROFILE		1
PACK 3	3	'V' SEAL		1
	4	WALL PROFILE TOP CAP LH/RH		1
	5	30mm SELF TAP SCREWS	WALL FIXING	3
	6	PLASTIC WALL PLUGS		3

UNPACK THE BOX AND ENSURE ALL COMPONENTS ARE PRESENT.

THE TOUGHENED SAFETY GLASS IS MANUFACTURED TO SPECIFICATION EN12150-1 AND SHOULD BE HANDLED WITH CARE AS IMPACTS CAN DAMAGE THE GLASS AND CAUSE IT TO FAIL AT A LATER DATE.

NO REFUNDS OR REFITTING COST WILL BE GIVEN IF INCOMPLETE OR DAMAGED GOODS ARE FITTED.

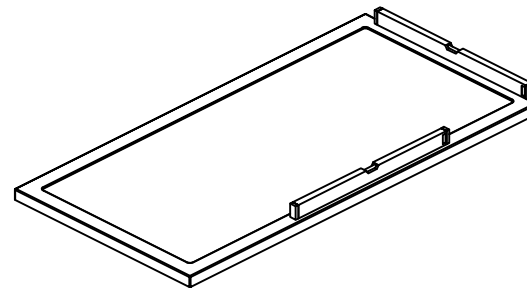
FIT THE SHOWER TRAY AS PER THE MANUFACTURERS INSTRUCTIONS. IF YOU HAVE PURCHASED THE 'FRAMED' OR 'ABSTRACT' SCREENS, ENSURE THAT THE PATTERNED FEATURE IS TO THE OUTSIDE OF THE ENCLOSURE.

NOTE! IF THE TRAY ISN'T TRUE AND LEVEL, IT MUST BE RECTIFIED BEFORE SILICONING AROUND THE TOP EDGE OF THE TRAY WHERE IT MEETS THE TILES. ALLOW THE SILICONE TO DRY BEFORE FITTING THE ENCLOSURE.

TOOLS REQUIRED:

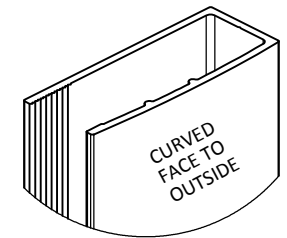
POWER DRILL
6mm MASONRY DRILL BIT
CROSS HEAD SCREW DRIVER
TAPE MEASURE
PENCIL
SILICONE GUN
SANITARY GRADE SEALANT
SPIRIT LEVEL

1



ENSURE THE TRAY IS LEVEL IN ALL PLANES.

IF THE TRAY IS NOT LEVEL IT WILL CAUSE FITTING AND DRAINAGE ISSUES.



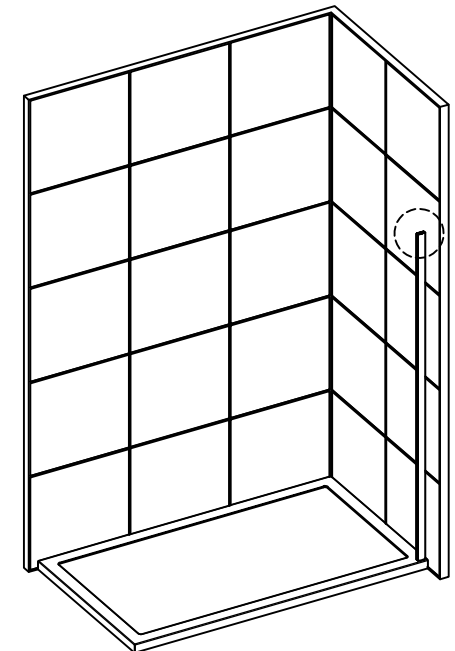
2

POSITION THE WALL PROFILE ON THE TRAY IN A SUITABLE POSITION (TYPICALLY 12mm IN FROM THE EDGE OF THE TRAY) WHILST ENSURING THAT THE CURVED FACE OF THE WALL PROFILE IS FACING OUTWARDS.

MAKE SURE THE PROFILE IS TRUE WITH A SPIRIT LEVEL, THEN MARK THROUGH THE FIXING HOLES WITH A PENCIL.

REMOVE THE PROFILE, THEN DRILL AND PLUG THE WALL. NOTE! THE FIXINGS SUPPLIED (5 & 6) ARE GENERAL PURPOSE AND MAY NOT BE SUITABLE FOR THE SUBSTRATE YOU ARE FIXING INTO.

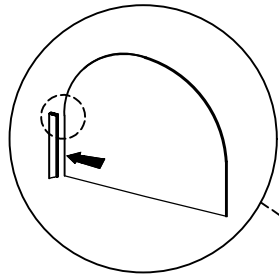
FIT THE WALL PLUGS, THEN FIX THE WALL PROFILE IN PLACE.



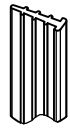
3

CAREFULLY SLIDE THE GLASS INTO THE PROFILE.
ADJUST AS REQUIRED THEN PUSH FIT THE 'V' SEAL (3) ON THE INSIDE OF THE ENCLOSURE.
START AT THE BOTTOM WORKING UPWARDS.

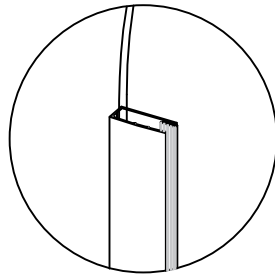
SLIDE GLASS INTO PROFILE



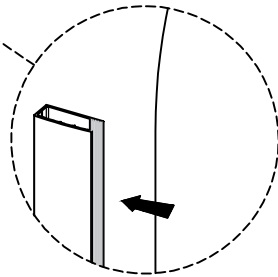
'V' SEAL (3)



'V' SEAL FITTED

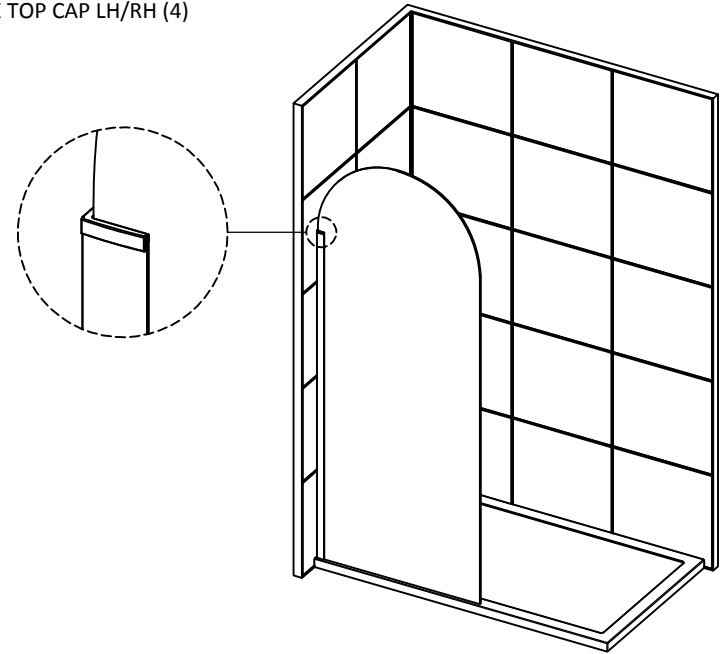


'V' SEAL ON THE INSIDE



4

FIT APPROPRIATE TOP CAP LH/RH (4)



5

EXTERNALLY SILICONE SEAL WHERE THE WALL PROFILE MEETS THE WALL, ALL
ALONG THE BOTTOM OF THE SCREEN ASSEMBLY WHERE IT MEETS THE TRAY
AND 100mm UP THE JOINT AS SHOWN.

DO NOT SILICONE INSIDE THE ENCLOSURE.

ALLOW THE SILICONE AT LEAST 24 HOURS TO FULLY CURE. AFTERCARE - ENSURE
YOU CLEAN YOUR PRODUCT USING A MILD DETERGENT DILUTED IN WATER,
REMOVING ANY RESIDUE WITH A SOFT DAMP CLOTH.

MAINTENANCE - ENSURE PARTS ARE FREE FROM ANY DEBRIS OR SOAP BUILD UP.

TROUBLE SHOOTING GUIDE

IS THE TRAY LEVEL? (SEE STEP 1).

ARE THE WALL PROFILES PLUMB VERTICALLY?

(SEE STEP 2).

