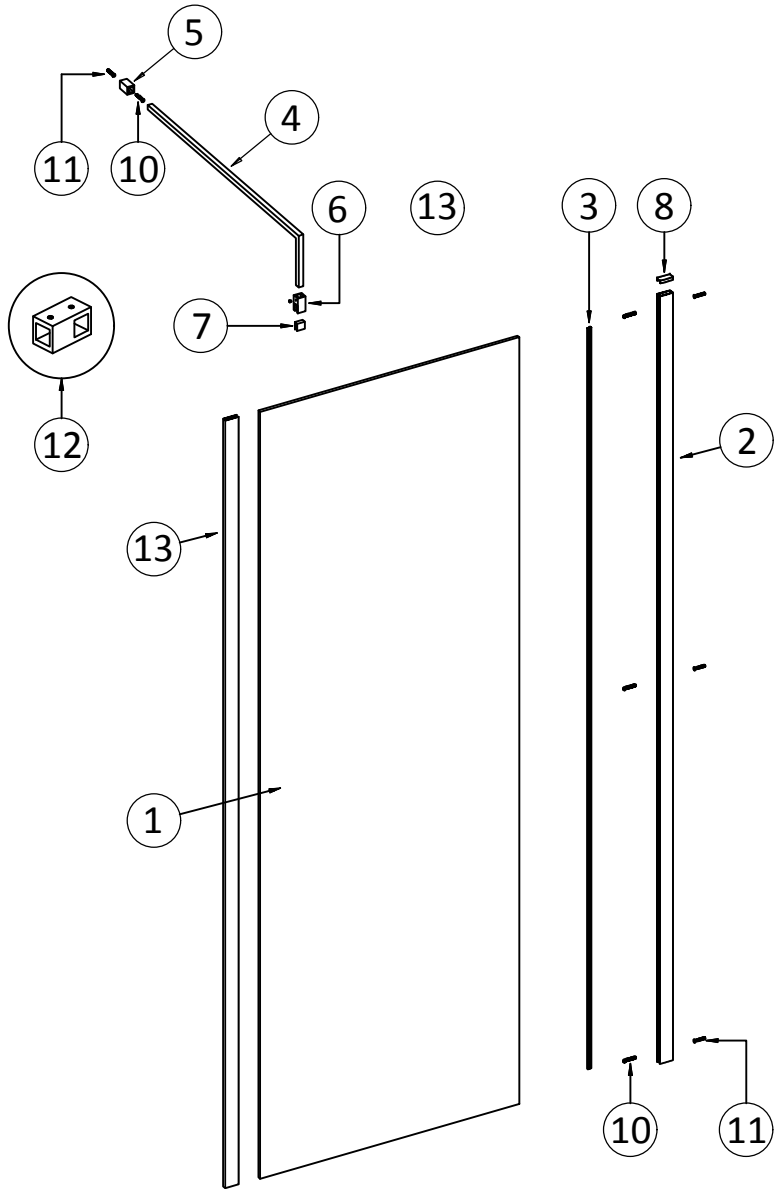


OUTER FRAMED WETROOM SCREEN INSTRUCTION



UNPACK THE BOX AND ENSURE ALL COMPONENTS ARE PRESENT.

NO REFUNDS OR REFITTING COST WILL BE GIVEN IF INCOMPLETE OR DAMAGED GOODS ARE FITTED.

THE TOUGHENED SAFETY GLASS IS MANUFACTURED TO SPECIFICATION EN12150-1 AND SHOULD BE HANDLED WITH CARE AS IMPACTS CAN DAMAGE THE GLASS AND CAUSE IT TO FAIL AT A LATER DATE.

FIT THE SHOWER TRAY AS PER THE MANUFACTURERS INSTRUCTIONS. IF YOU HAVE PURCHASED THE 'FRAMED' OR 'ABSTRACT' SCREENS, ENSURE THAT THE PATTERNED FEATURE IS TO THE OUTSIDE OF THE ENCLOSURE.

NOTE! IF THE TRAY ISN'T TRUE AND LEVEL, IT MUST BE RECTIFIED BEFORE SILICONING AROUND THE TOP EDGE OF THE TRAY WHERE IT MEETS THE TILES. ALLOW THE SILICONE TO DRY BEFORE FITTING THE ENCLOSURE.

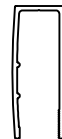
USE SUITABLE FIXINGS FOR THE SUBSTRATE YOU'RE FIXING TO. THE ONES SUPPLIED ARE GENERAL-PURPOSE.

TOOLS REQUIRED:

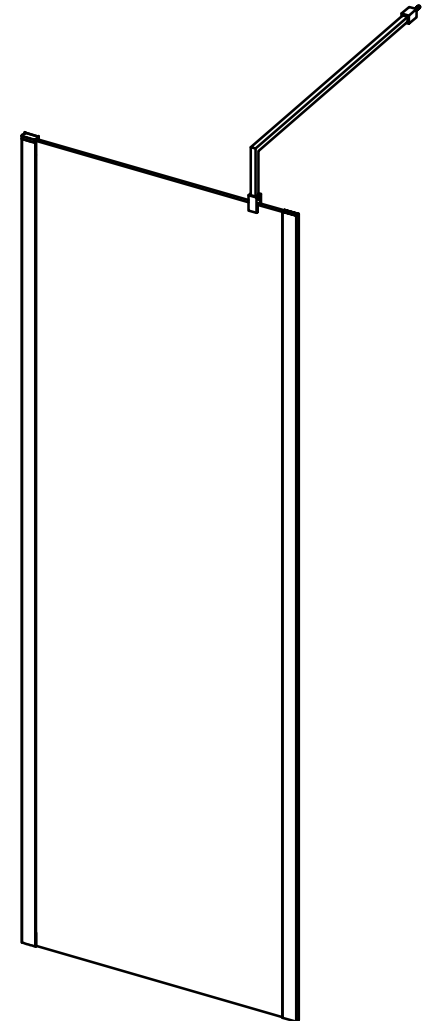
- POWER DRILL
- 6mm MASONRY DRILL BIT
- CROSS HEAD SCREW DRIVER
- TAPE MEASURE
- PENCIL
- SILCONE GUN
- SANITARY GRADE SEALANT
- SPIRIT LEVEL
- HACKSAW

	ITEM	DESCRIPTION	NOTES	QTY
PACK 1	1	GLASS		1
PACK 2	2	WALL PROFILE		1
PACK 3	3	'V' SEALS		1
	4	TOP BAR		1
	5	TOP BAR WALL SOCKET		1
	6	GLASS CLAMP		1
	7	PVC SADDLE		1
	8	WALL PROFILE TOP CAP		1
	9	GRUB SCREWS		2
	10	30mm SELF TAP SCREWS	WALL FIXING	4
	11	PLASTIC WALL PLUGS		4
12	'T' PIECE	USED FOR WALK-IN	1	
PACK 4	13	PUSH ON PROFILE	VERTICAL - SEE STEP 3	1
	13	PUSH ON PROFILE	WALK-IN & WALK THROUGH	2

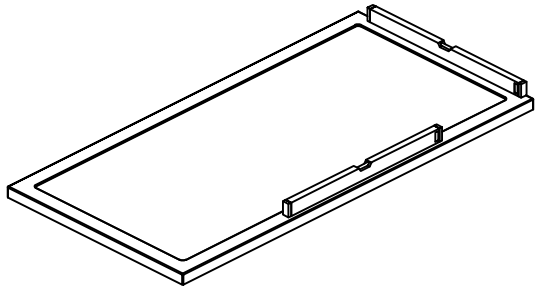
WALL PROFILE
TOP VIEW



PUSH-ON PROFILE
TOP VIEW



1



ENSURE THE TRAY IS LEVEL IN ALL PLANES.

IF THE TRAY IS NOT LEVEL IT WILL CAUSE FITTING AND DRAINAGE ISSUES.

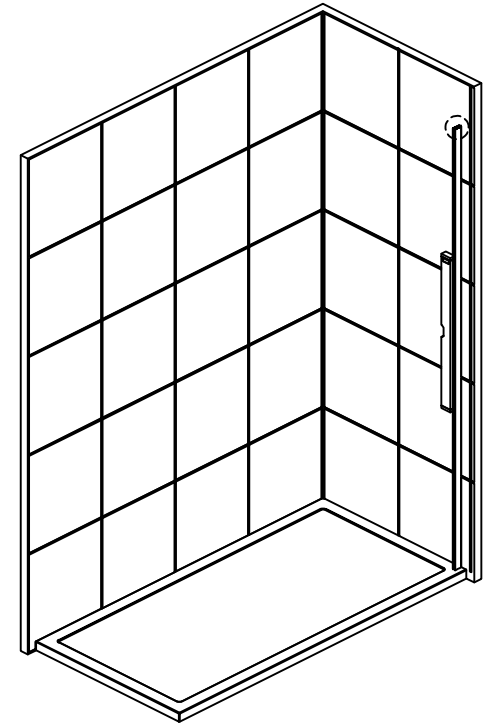
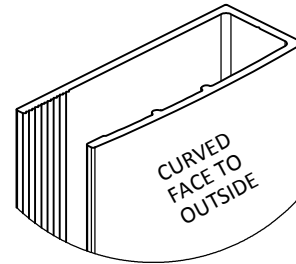
2

POSITION THE WALL PROFILE ON THE TRAY IN A SUITABLE POSITION (TYPICALLY 12mm IN FROM THE EDGE OF THE TRAY) WHILST ENSURING THAT THE CURVED FACE OF THE WALL PROFILE IS FACING OUTWARDS.

MAKE SURE THE PROFILE IS TRUE WITH A SPIRIT LEVEL, THEN MARK THROUGH THE FIXING HOLES WITH A PENCIL.

REMOVE THE PROFILE, THEN DRILL AND PLUG THE WALL. NOTE! THE FIXINGS SUPPLIED (10 & 11) ARE GENERAL PURPOSE AND MAY NOT BE SUITABLE FOR THE SUBSTRATE YOU ARE FIXING INTO.

FIT THE WALL PLUGS, THEN FIX THE WALL PROFILE IN PLACE.



3

ITEM 13 IS SUPPLIED AT 1950mm LONG AND IS ALREADY CUT TO LENGTH FOR A 1950mm SCREEN.

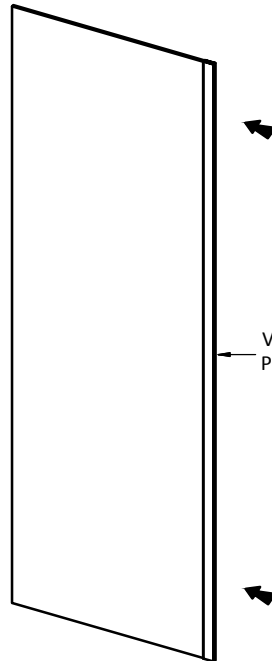
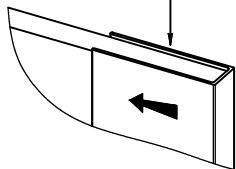
IF THE PROFILE IS BEING USED ON ANY OTHER SIZE SCREEN BELOW 1950mm IT WILL NEED CUTTING TO LENGTH.

SLIDE THE 'VERTICAL' PUSH ON PROFILE FULLY ONTO THE FREE END OF THE GLASS PANEL.

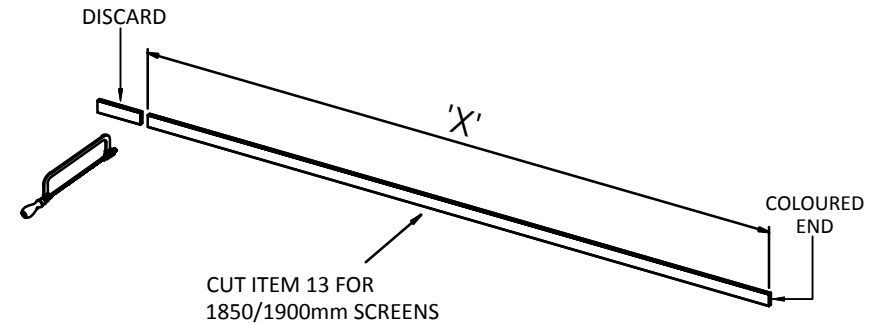
IF IT'S BEEN CUT, PUT THE PROFILE CUT EDGE TO THE BOTTOM.

YOU CAN ADD A FEW SPOTS OF SILICONE IN THE PROFILE PRIOR TO FITTING TO FURTHER SECURE IT IN PLACE. WIPE OFF AND EXCESS.

COLOURED EDGE AT THE TOP ON 1850/1900mm MODELS



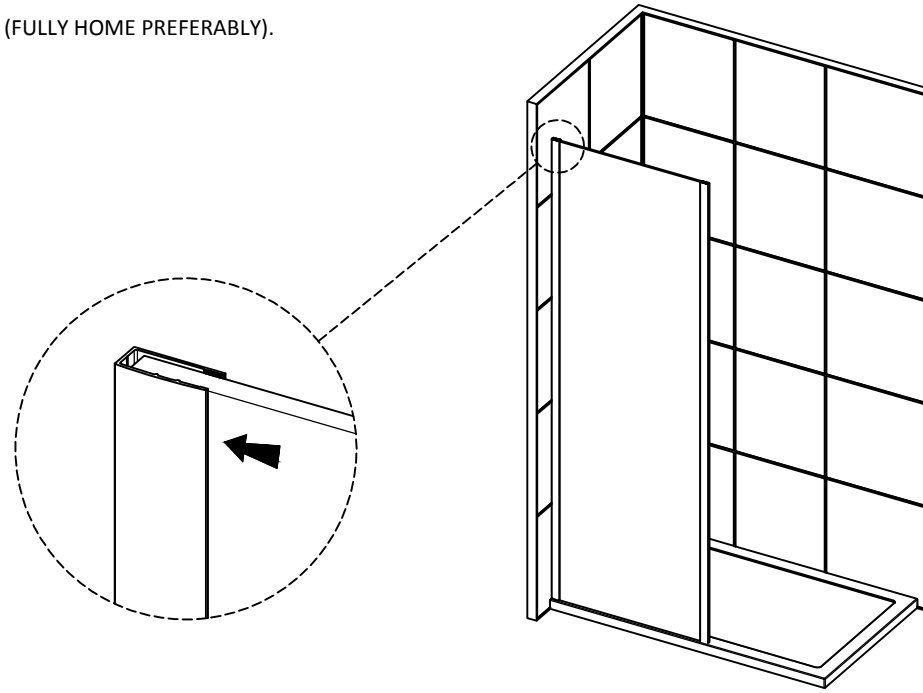
VERTICAL PUSH-ON PROFILE (13)



CUT ITEM 13 FOR 1850/1900mm SCREENS

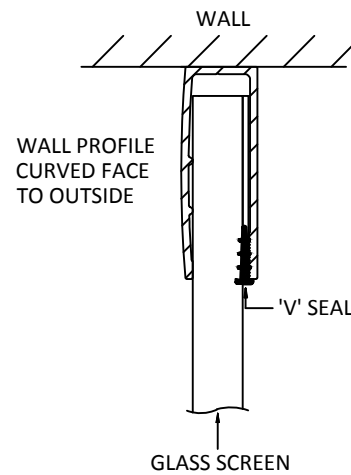
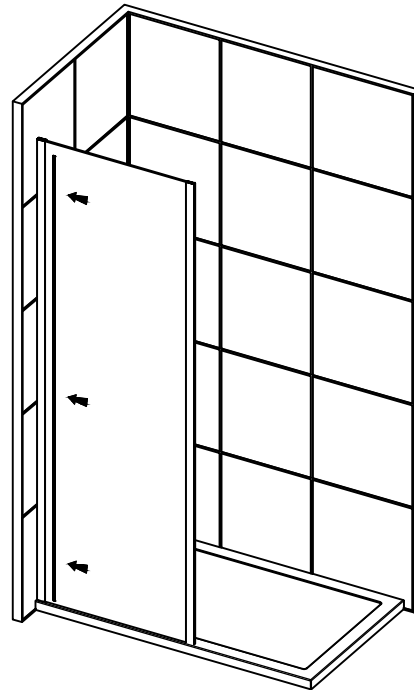
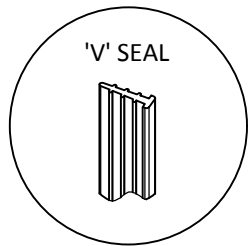
4

SLOWLY SLIDE THE WETROOM SCREEN INTO THE WALL PROFILE (FULLY HOME PREFERABLY).
ADJUST AS REQUIRED.



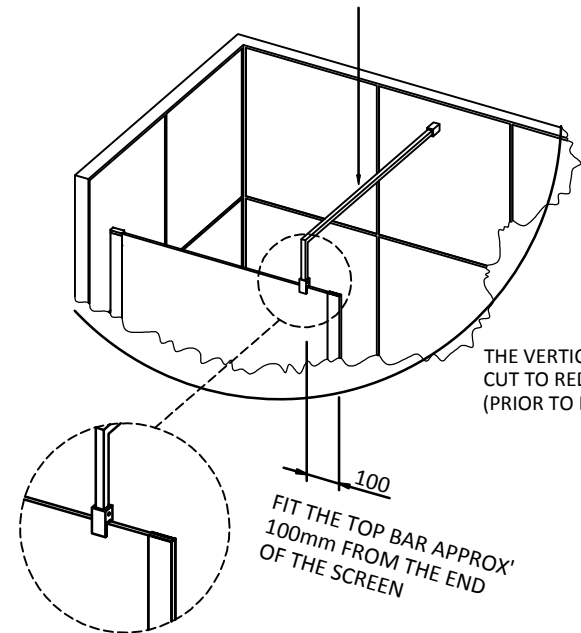
5

NOW FIT THE 'V' SEAL (3) ON THE INSIDE OF THE SCREEN, BETWEEN THE GLASS AND THE OUTER LEGS OF THE WALL PROFILE.



6

CUT THE TOP BAR TO LENGTH SO THE SCREEN IS PARALLEL TO THE BACK WALL

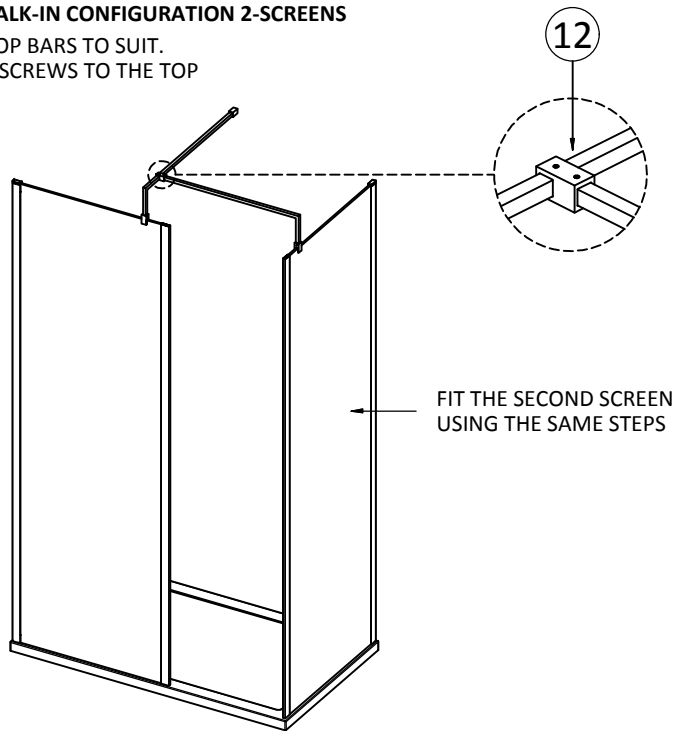


THE VERTICAL LEG OF ALSO BE CUT TO REDUCE ITS HEIGHT (PRIOR TO DRILLING THE WALL).

100
FIT THE TOP BAR APPROX 100mm FROM THE END OF THE SCREEN

7 WALK-IN CONFIGURATION 2-SCREENS

CUT TOP BARS TO SUIT.
GRUB SCREWS TO THE TOP

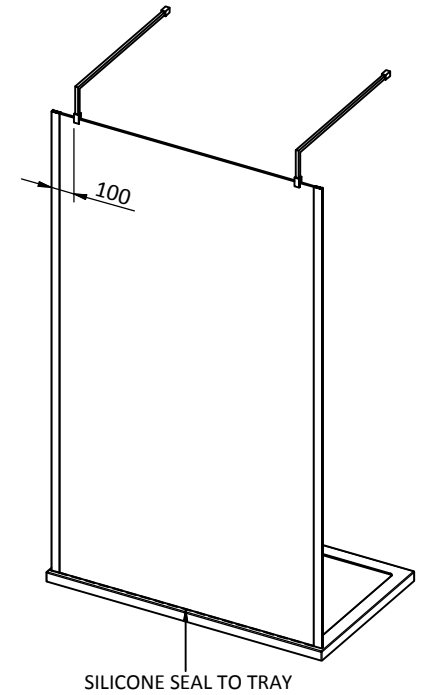


8 WALK THROUGH CONFIGURATION

FIT THE x2 VERTICAL PUSH ON PROFILES (13) SO THEY ARE FULLY HOME.

NOTE, WALK THROUGH ONLY.

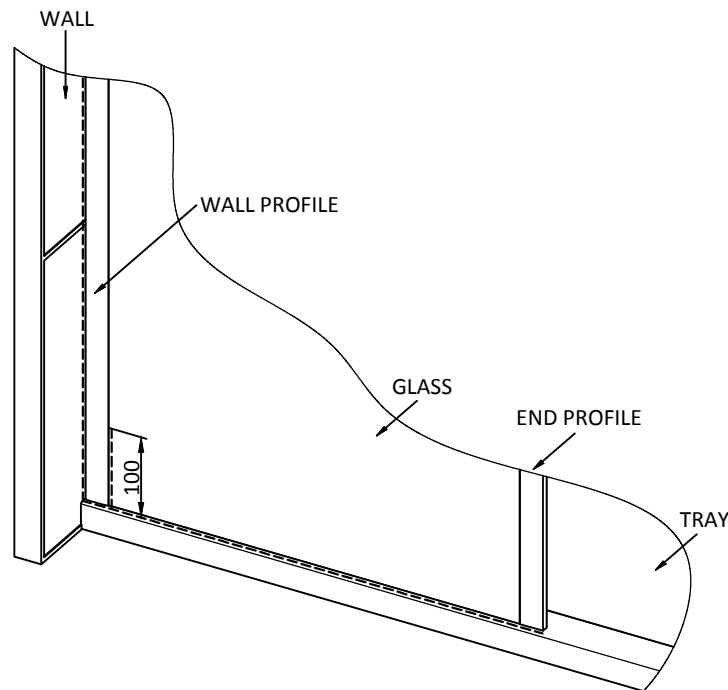
ONCE THE TOP BARS ARE CUT TO LENGTH SLIDE THE WALL SOCKET ONTO THE END, MARK THROUGH THE WALL SOCKET TOP HOLE ONTO THE BAR. (SCREWING A GRUB SCREW THROUGH WILL MARK IT). REMOVE THE SOCKET AND DRILL THROUGH THE BAR (TOP FACE ONLY) WHERE MARKED, DIAM' 4mm. THIS WILL ALLOW THE LONGER 10mm GRUB SCREW TO PASS INTO THE TUBE TO CREATE A MORE SECURE FIX. THE LONGER GRUB SCREWS (10mm) TO PASS INTO THE TUBE TO CREATE A MORE SECURE FIX. THE LONGER GRUB SCREWS (10mm) ARE LOCATED IN THE ADDITIONAL TOP BAR BOX.



9

EXTERNALLY SILICONE SEAL WHERE THE WALL PROFILE MEETS THE WALL, ALL ALONG THE BOTTOM OF THE SCREEN ASSEMBLY WHERE IT MEETS THE TRAY AND 100mm UP THE JOINT AS SHOWN.

DO NOT SILICONE SEAL INSIDE THE SCREEN.



ALLOW THE SILICONE AT LEAST 24 HOURS TO FULLY CURE.

AFTERCARE - ENSURE YOU CLEAN YOUR PRODUCT USING A MILD DETERGENT DILUTED IN WATER, REMOVING ANY RESIDUE WITH A SOFT DAMP CLOTH.

MAINTENANCE - ENSURE PARTS ARE FREE FROM ANY DEBRIS OR SOAP BUILD UP.

TROUBLE SHOOTING GUIDE

1. IS THE TRAY LEVEL? (SEE STEP 1).
2. ARE THE WALL PROFILES PLUMB VERTICALLY? (SEE STEP 2).
3. IS THE SCREEN PARALLEL TO THE ADJACENT WALL.

