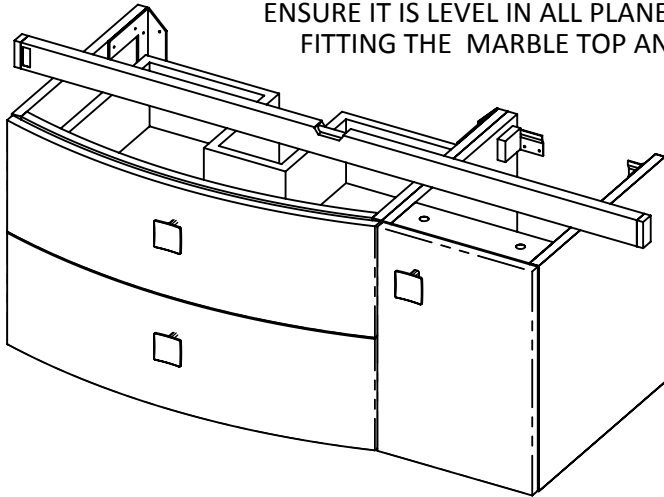
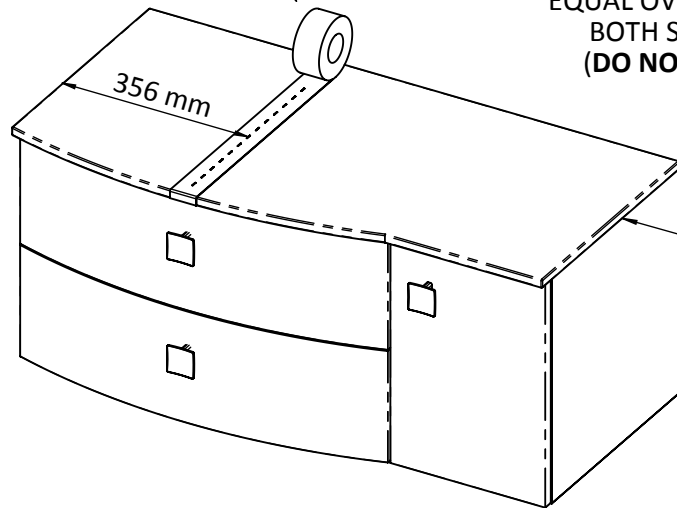


## SARENNA MARBLE TOP AND BASIN, FITTING INSTRUCTION.

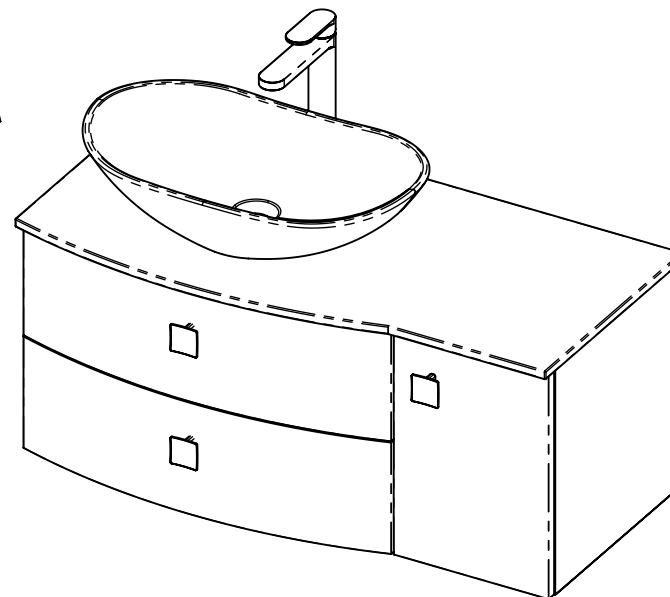
1. THE UNIT IS NOW FIXED TO THE WALL. ENSURE IT IS LEVEL IN ALL PLANES PRIOR TO FITTING THE MARBLE TOP AND BASIN



2. MARK A CENTRE LINE ON TAPE TO DIMENSION SHOWN

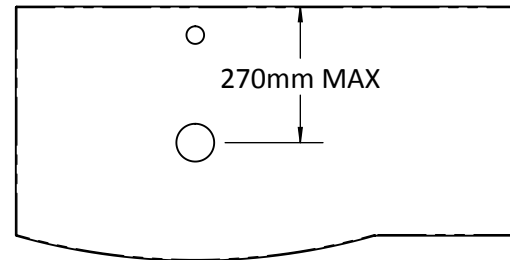


3. PLACE THE MARBLE ONTO THE UNIT WITH EQUAL OVERHANG BOTH SIDES. (DO NOT FIX)



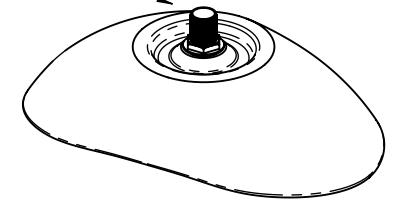
4. PLACE THE TAP AND BASIN IN THE DESIRED POSITION. THE BASIN WASTE CENTRE CAN BE **NO MORE THAN 270mm** FROM THE BACK EDGE

5. NOW MARK POSITION OF BASIN WASTE AND TAP CENTRE ON THE TAPE. THEN REMOVE MARBLE TOP FOR DRILLING.



6. DRILL MARBLE  $\phi 35$  FOR TAP AND  $\phi 75$  (MINIMUM) FOR BASIN WASTE ON A SUPPORTED SURFACE. USE DIAMOND CUTTER WITH COOLANT AS REQUIRED

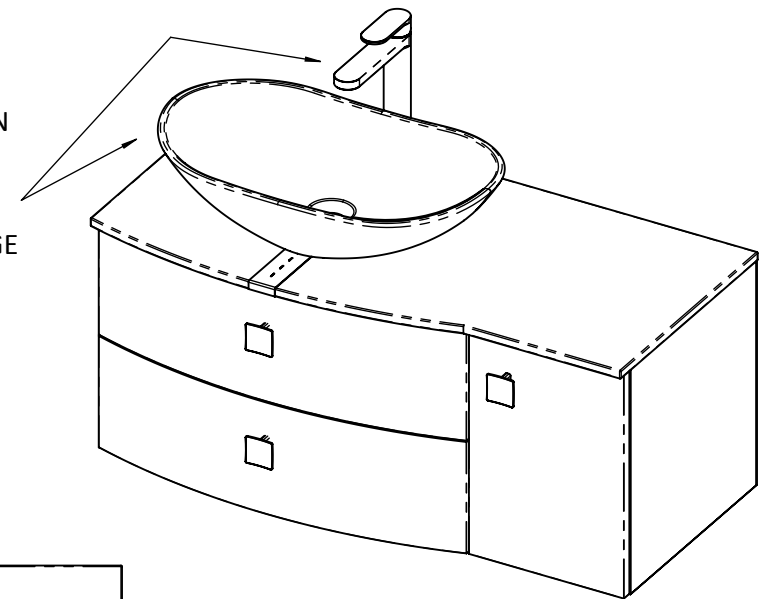
7. FULLY FIT AND SEAL WASTE TO BASIN



8. NOW REFIT AND SECURE THE MARBLE TOP USING SEVERAL SMALL BLOBS OF SILICONE ON THE UNIT TOP. ENSURE IT IS CENTRALISED.

9. FIT TAP, THEN BASIN. USE A SMALL AMMOUNT OF SILICONE TO SECURE BASIN IF DESIRED.

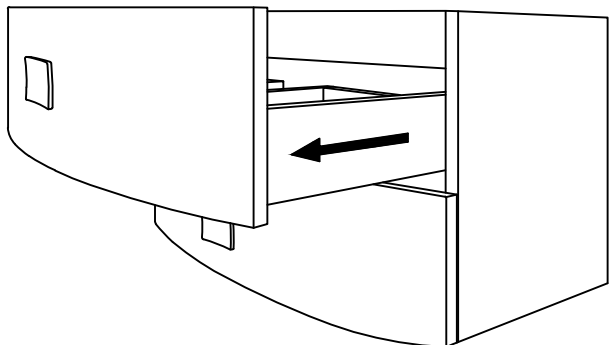
NOW ALLOW SILICONE TO FULLY DRY.



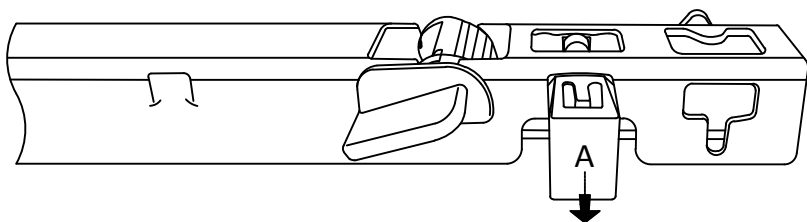
# FURNITURE INSTRUCTION

This Instruction covers a variety of topics to help with your installation.  
Drawer Box Adjustment, Handle Drilling, and Wall Hanging

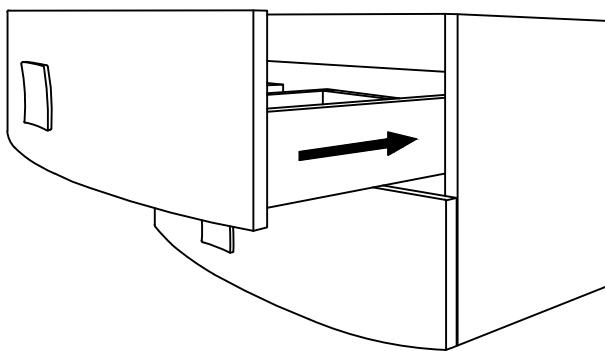
## REMOVING DRAWER



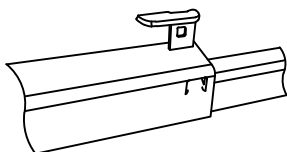
Remove drawer from cabinet prior to fitting unit to the wall. Pull-out the drawer to it's full extension and disengaging the locking pin on the underside of the drawer by pulling the Tab A inwards (see below). Gently lift the drawer box upwards until it disengages from the runner and locating pin at the back of the drawer runner.



## RE-FIT DRAWER

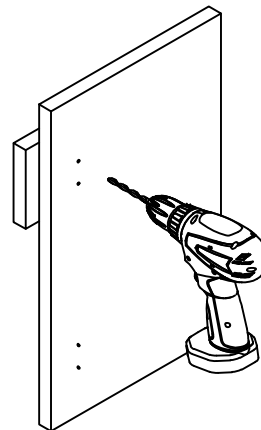


DRAWER RUNNER LUG



To re-fit the drawer, fully extend the drawer runners and locate drawer box on to runners. Slide the drawer box along so that the lugs at the back of the runner are located into the holes in the back of the drawer box. Lock the drawer into position by pushing Tab A outwards.

## 300 CUPBOARD UNIT



## DOOR DRILLING

The door is supplied un-drilled for the handle so that the desired handing of the door can be selected. It will be necessary to also re-locate the hinge plates in the cabinet side should you require the opposite hand to that supplied.

Using a 5mm drill bit, drill through the reverse of the fascia into a scrap piece of wood to help prevent splintering.

NOTE: DRILLED DOORS CANNOT BE RETURNED

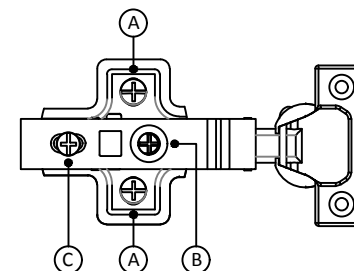
## REMOVAL OF TOP PANEL

If you have selected the large Basin option, it will be necessary to remove the top panel off the cupboard unit. Simply un-lock the cams (x4) on the inside of the unit with a screwdriver and lift the top off the main unit.

## HINGE ADJUSTMENT

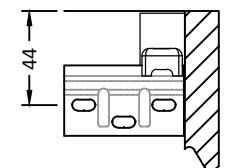
(Adjustment applies when door is mounted)

- A - Vertical Adjustment
- B - Horizontal Adjustment
- C - In/Out Adjustment

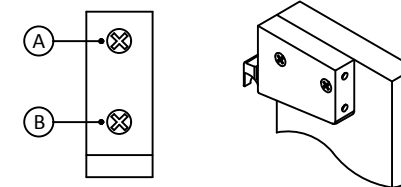


## FIXING CABINETS TO WALL

Basin Unit - optimum height to the top of the unit (excluding the basin) is 782mm from the floor as it will line up with the top of the W.C. Unit, but can be set at a desired height if preferred.



300 Cupboard Unit - optimum height to the top of the unit (excluding the top) is 782mm as per the Basin Unit from the floor. If you are using this unit along side of the Basin Unit, choose the handing required and use suitable fixing (not supplied) to join the units together. This unit can also be used independently if preferred. Prior to fixing the wall hanging plates, check the correct distance down from the top of the unit by offering up the wall plate to the hook on the hanging bracket (Fig 1)



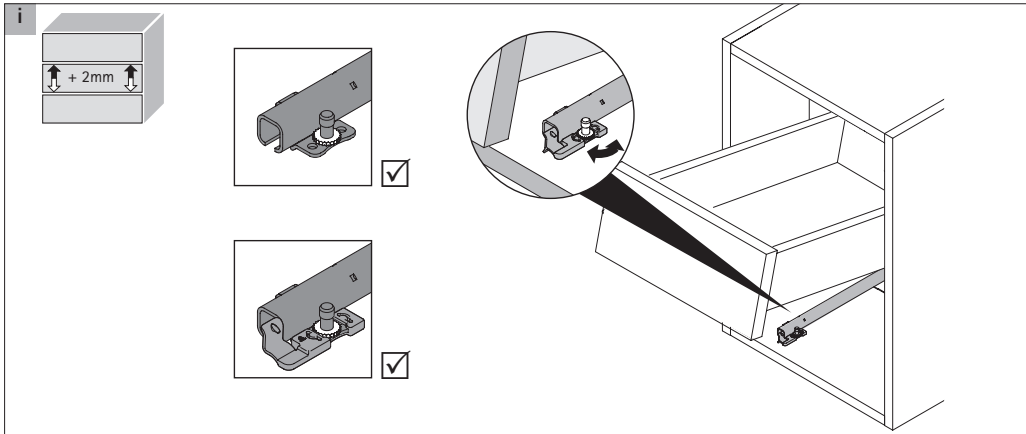
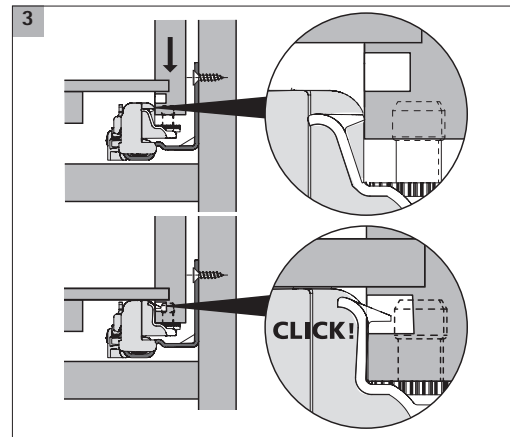
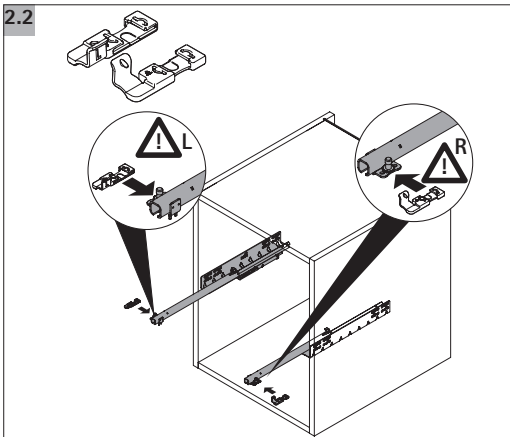
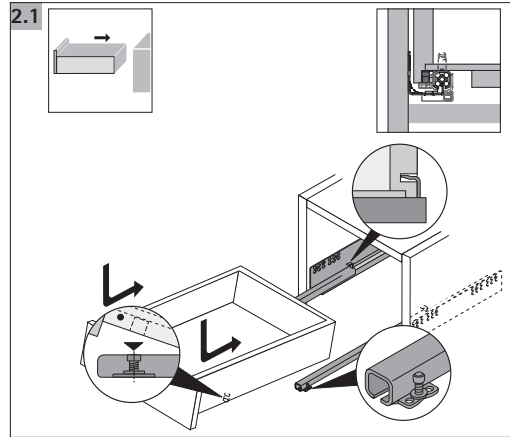
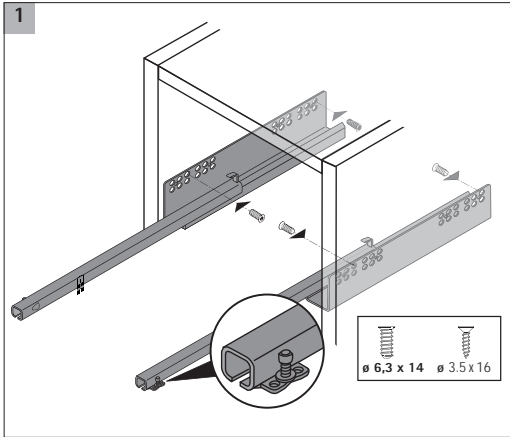
Tall Unit - optimum height to top of unit is 1570mm from the floor as the bottom of the unit will then line up with the bottom of the Basin Unit. Fix the cabinet to the wall by screwing directly through the back panel into the wall.

Note! check the type of wall you are fixing into and use suitable fixings (Not supplied).

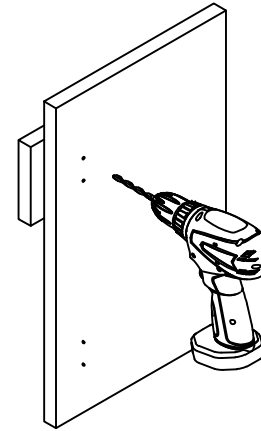
You may need to lengthen the hook's protrusion. To do so, turn screw 'B' anti-clockwise. Tighten screw 'B' to fit the cabinet to the wall. You may need to make some fine adjustments once the cabinet is fitted. Turn screw 'A' clockwise for DOWN and anti-clockwise for UP (Fig 2/3)

# FURNITURE INSTRUCTION

This Instruction covers a variety of topics to help with your installation.  
Drawer Box Adjustment, Handle Drilling, and Wall Hanging



## 300 CUPBOARD UNIT



## DOOR DRILLING

The door is supplied un-drilled for the handle so that the desired handing of the door can be selected. It will be necessary to also re-locate the hinge plates in the cabinet side should you require the opposite hand to that supplied.

Using a 5mm drill bit, drill through the reverse of the fascia into a scrap piece of wood to help prevent splintering.

NOTE: DRILLED DOORS CANNOT BE RETURNED

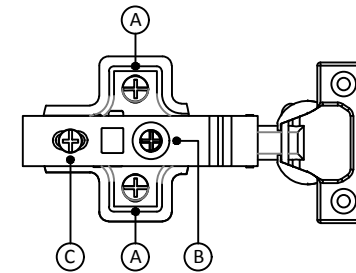
## REMOVAL OF TOP PANEL

If you have selected the large Basin option, it will be necessary to remove the top panel off the cupboard unit. Simply un-lock the cams (x4) on the inside of the unit with a screwdriver and lift the top off the main unit.

## HINGE ADJUSTMENT

(Adjustment applies when door is mounted)

- A - Vertical Adjustment
- B - Horizontal Adjustment
- C - In/Out Adjustment



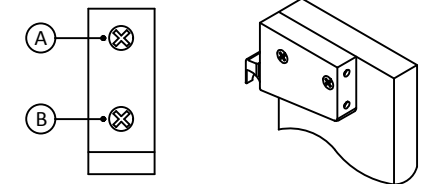
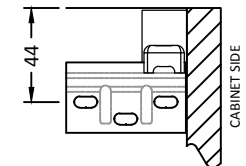
## FIXING CABINETS TO WALL

Basin Unit - optimum height to the top of the unit (excluding the basin) is 782mm from the floor as it will line up with the top of the W.C. Unit, but can be set at a desired height if preferred.

300 Cupboard Unit - optimum height to the top of the unit (excluding the top) is 782mm as per the Basin Unit from the floor. If you are using this unit along side of the Basin Unit, choose the handing required and use suitable fixing (not supplied) to join the units together. This unit can also be used independently if preferred. Prior to fixing the wall hanging plates, check the correct distance down from the top of the unit by offering up the wall plate to the hook on the hanging bracket (Fig 1)

Tall Unit - optimum height to top of unit is 1570mm from the floor as the bottom of the unit will then line up with the bottom of the Basin Unit. Fix the cabinet to the wall by screwing directly through the back panel into the wall.

Note! check the type of wall you are fixing into and use suitable fixings (Not supplied).



You may need to lengthen the hook's protrusion. To do so, turn screw 'B' anti-clockwise. Tighten screw 'B' to fit the cabinet to the wall. You may need to make some fine adjustments once the cabinet is fitted. Turn screw 'A' clockwise for DOWN and anti-clockwise for UP (Fig 2/3)

# BATHROOM FURNITURE CARE GUIDE

1. Should any of your items have a defect, please do NOT install as returns will not be accepted once fitted.
2. We advise that you use a qualified person to install your units, as any issues relating to poor fitting will not be accepted by the supplier.
3. You have purchased a handmade and in some cases hand painted product. Therefore, you may see some slight imperfections which the supplier may deem as acceptable.
4. This product is water resistant but NOT waterproof. On no account should any spillages or splashes, even water, be allowed to lie on any surface. All spillages and splashes should be wiped dry, failure to do so may shorten the life expectancy of the product and invalidate any guarantees.
5. Please avoid direct sunlight as this will cause the painted surfaces to dis-colour.
6. Due to motion in transit, the cabinet doors and drawers may need to be adjusted after installation.
7. Floor Standing units must be fitted back to the wall through the backrail using suitable fixings (not supplied).

**Please note that although these units have been designed to give years of pleasure and satisfaction, you will help maintain the original beauty of your bathroom by following these guide lines.**

## Painted Doors

Use a cleaning product not containing aggressive substances like acetone, alcohol, bleach ... as those components could seriously damage the surface of your furniture. The best would be to use a soft cotton or micro fibre cloth with only water and soft soap (containing a maximum 1% of liquid soap)

## Painted Carcase Components & Bath Panels

Do not use polish on any surfaces. A damp cloth with soapy water will clean off most marks or spills. Bleaches, scouring pads and multi-surface cleaners must not be used.

## Drawers, Runners, Door Hinges

These should be wiped out with a damp soapy cloth and wiped dry with a soft cloth as necessary. The runners and hinges are lubricated and should not be cleaned with a degreasing agent as this will affect the action of the moving parts. Never lean on partially or fully opened doors and drawers in order to gain access to the units. The hinges are specified to adequately support the weight of the door. It is advised that once the furniture has been installed you should check every six months that all screws on the hinges are tight.

## Temperature and Humidity

Avoid excessive change in temperature and humidity. Always try to ensure adequate ventilation.

## Spillages and Splashes

On no account should any spillages or splashes, even water, be allowed to lie on any surface. All spillages and splashes should be wiped dry, failure to do so may shorten the life expectancy of the product and invalidate any guarantees.

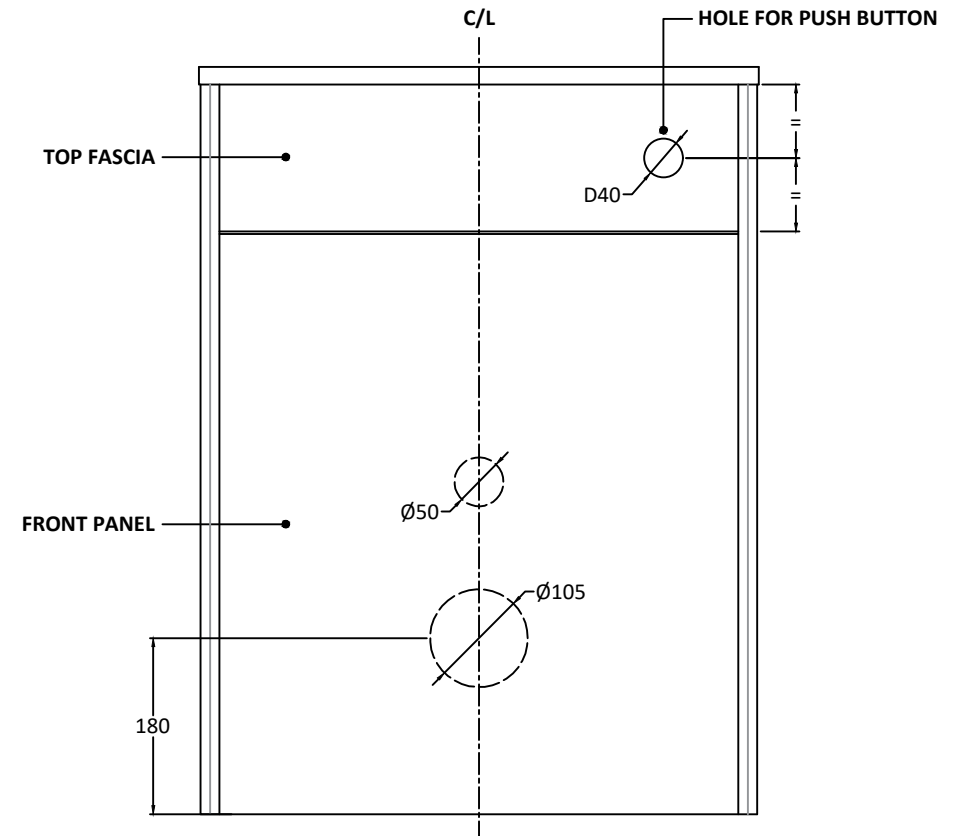
## Regulations

If it is your intention to remove and replace your bathroom fittings with "like for like" units, then this is classed as "non regulated" and no building regulations would be required. However, building regulation approval may be required if the bathroom refurbishment involves altering the drainage or the internal layout within the dwelling to accommodate the new fitting such as a second bathroom. In this instance, we would advise you to contact the Building Control Department at your local authority to discuss the need for a formal building regulation application. Macerator - Current building regulations specify that a sanipump smallbore system can be fitted in a dwelling where there is also a normal gravity discharge W.C. It should not be the only W.C. facility. Electrical - Remember that double pole isolating switches are required for all electrical points apart from special razor sockets. All work must conform to BS7671: 2008 the current I.E.E. Regulations.

The company reserves the right to continually evolve its product lines without notification.

The company will not accept any liability regarding specification changes and their consequences unless previously quoted by the company in writing.

# W.C. UNIT CUT-OUT INSTRUCTION



1. Mark out the hole positions on the front panel for the inlet and outlets of the W.C. Pan. Check the size against the Pan before cutting out.  
Note: both sets of panels are fitted with brackets that will enable you to easily remove for cutting and drilling purposes.
2. The push button can be positioned on the front fascia left, right or central. The drawing shows a suggested position being on the right hand side. Mark the centre point in your desired position and drill a 40mm diameter hole. Fix the button ensuring that the cable is not kinked or bent.
3. Any cut surfaces/edges need to be sealed against water ingress.