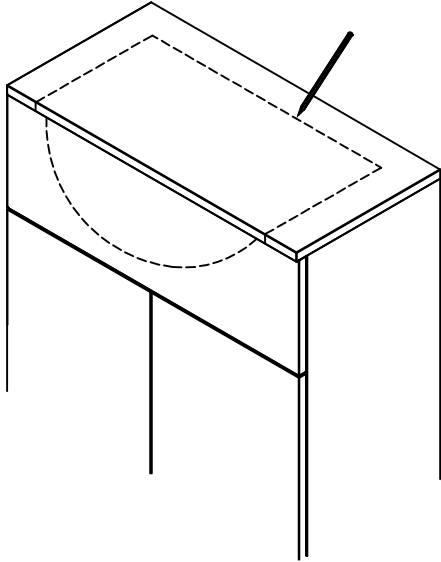


# GENERAL FITTING GUIDE - SEMI RECESS BASIN

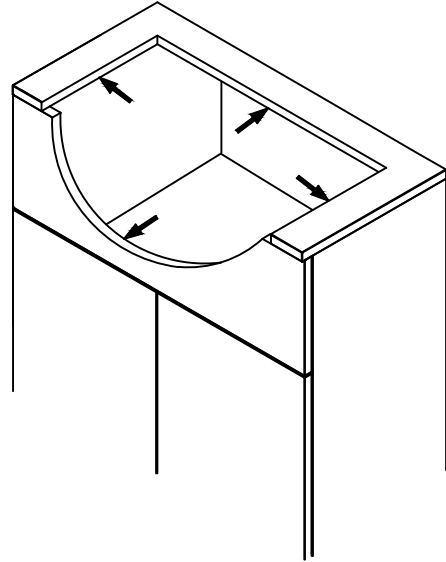
PRODUCT SHOWN WILL VARY  
DEPENDING ON MODEL

1



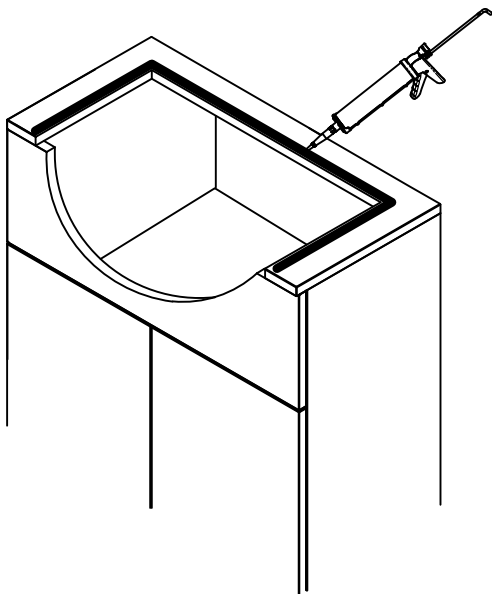
POSITION TEMPLATE AND MARK OUT WITH  
A PENCIL THE AREA TO BE CUT.

2



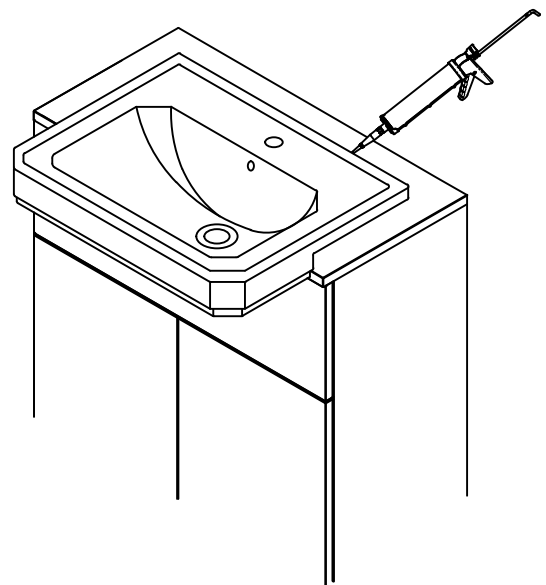
SEAL ANY RAW EDGES WITH SEALANT OR PVA  
GLUE TO PREVENT ANY WATER INGRESS.

3



RUN A BEAD OF SILICONE AROUND THE TOP  
FACE OF THE WORKTOP. FIT BASIN INTO  
POSITION, MAKING SURE THERE'S A GOOD  
SEAL.

4



SEAL AROUND THE OUTER EDGES OF THE  
BASIN AND CLEAN OFF ANY EXCESS SEALANT  
(FOLLOW THE MANUFACTURERS INSTRUCTION  
REGARDING CURE TIME)